

DANISENSE

Product Selection Guide

PRECISION - INNOVATION



ACCURATELY MEASURE DC / AC CURRENTS BETWEEN mA AND FULL SCALE;

■ PRODUCTS LINEUP / CURRENT OUTPUT

		DT50ID	DT100ID	DT200ID	DC200IF
Measuring range	I_{PM}	75A	150A	285A	330A
Nominal AC current	I_{PN_AC}	50A rms	100Arms	200Arms	200Arms
Nominal DC current	I_{PN_DC}	50A	100A	200A	300A
Overload capacity (non measured, 100ms)	$\hat{I}_{OL0.1s}$	250A	500A	1000A	1000A
Nominal DC secondary current / voltage	I_{SN_DC}	100mA	100mA	200mA	300mA
Primary / secondary ratio	(n1:n2)	1:500	1:1000	1:1000	1:1000
Linearity error	ε_L	0.15µA 1.5ppm	0.1µA 1ppm	0.2µA 1ppm	1.8µA 6ppm
Initial Electric offset (Initial Ratio error)	$I_{OE} (\varepsilon_C)$	10µA 100ppm	5.0µA 50ppm	5.0µA 25ppm	4.5µA 15ppm
DC to 10Hz Overall accuracy @23°C $acc\varepsilon = (\varepsilon_L + I_{OE}) + (\varepsilon_C \text{ in case of V output})$	$acc\varepsilon$	10.15µA 101.5ppm	5.1µA 51ppm	5.2µA 26ppm	6.3µA 21ppm
Offset (Ratio) temperature coefficient	TCI_{OE}	0.08µA/°C 0.8ppm/°C	0.03µA/°C 0.3ppm/°C	0.04µA/°C 0.2ppm/°C	0.6µA/°C 2ppm/°C
Offset (Ratio) stability with time	$I_{OE/time}$	0.01µA/month 0.1ppm/month	0.01µA/month 0.1ppm/month	0.02µA/month 0.1ppm/month	3µA/month 10ppm/month
Bandwidth (-3dB)	$f_{(-3dB)}$	>2MHz	>2MHz	>2MHz	>200kHz
Amplitude error (small signal)	ε_G	10Hz - 5kHz 0.01% 5kHz - 100kHz 1.0% 100kHz - 1MHz 10.0% 1MHz - 2MHz 30.0%	10Hz - 5kHz 0.01% 5kHz - 100kHz 1.0% 100kHz - 1MHz 10.0% 1MHz - 2MHz 30.0%	10Hz - 5kHz 0.01% 5kHz - 100kHz 1.0% 100kHz - 1MHz 10.0% 1MHz - 2MHz 30.0%	10Hz - 5kHz 0.10% 5kHz - 100kHz 2.0% 100kHz - 200kHz 10.0%
Phase shift (small signal)	θ	10Hz - 5kHz 0.01° 5kHz - 100kHz 0.5° 100kHz - 1MHz 5.0° 1MHz - 2MHz 30.0°	10Hz - 5kHz 0.01° 5kHz - 100kHz 0.5° 100kHz - 1MHz 10.0° 1MHz - 2MHz 30.0°	10Hz - 5kHz 0.01° 5kHz - 100kHz 0.5° 100kHz - 1MHz 10.0° 1MHz - 2MHz 40.0°	10Hz - 5kHz 0.1° 5kHz - 100kHz 0.5° 100kHz - 200kHz 2.0°
Noises 0 - 100Hz 0 - 1kHz 0 - 10kHz 0 - 100kHz	Noises (rms)	1.2ppm 1.2ppm 3.0ppm 27.0ppm	1.1ppm 1.5ppm 2.0ppm 12.0ppm	0.5ppm 0.7ppm 1.0ppm 6.0ppm	0.30ppm 1.00ppm 5.00ppm 20.00ppm
Induced rms voltage on primary conductor		5µVrms	5µVrms	5µVrms	5µVrms
Rated rms insulation voltage (**) - IEC61010-1 - EN50178	U_b U_b	300V 600V	300V 600V	300V 600V	300V 600V
rms insulation test voltage (Pri.-Sec.) AC50-60Hz, 1min	U_{dP-S}	5.7kV	5.7kV	5.7kV	5.7kV
rms insulation test voltage (Sec.-Shield) AC50-60Hz, 1mn	U_{dS-S}	0.2kV	0.2kV	0.2kV	0.2kV
Impulse withstand voltage (1.2/50µs)	\hat{U}_W	10.4kV	10.4kV	10.4kV	10.4kV
Operating temp. range	T_a	-40°C to +85°C			-40°C to +85°C
Power supplies (positive / negative current consumpt. excluding Is)	U_c	±15V±5% (+40mA / -35mA)			±15V±5% (+35mA/-35mA)
Diameter of aperture	ϕ	20.7mm			19.65mm
External dimensions (approximate)	WxHxD	76 x 64.5 x 35mm			93.5 x 61.5 x 40mm
Connection		DSUB 9-pin			6.3x0.8mm fastons
Calibration (Test) winding		None	None	None	None
Weight (approximate)	M	150g			250g

Data are for informative purposes only, please consult individual datasheets on Danisense website for most up-to-date values

(**) reinforced insulation, OV Cat III, pollution degree 2

DESIGNED FOR MEDICAL DEVICES; PARTICLE ACCELERATORS; POWER MEASUREMENTS

PLEASE CONSULT THE PRODUCTS MANUAL ON DANISENSE WEBSITE BEFORE USAGE

DS50ID DQ50ID	DS200ID DQ200ID	DS300ID DQ300ID	DS400ID DQ400ID	DQ500ID	DS600ID DQ600ID	DNI1000ID
150A	370A	500A	600A	800A	1000A	1500A
50Arms	200Arms	300Arms	400Arms	500Arms	600Arms	1000Arms
75A	300A	450A	600A	750A	900A	1000A
1500A	1500A	1500A	3000A	4500A	4500A	5000A
150mA	600mA	450mA	300mA	428.57mA	600mA	667mA
1:500	1:500	1:1000	1:2000	1:1750	1:1500	1:5000
1.2µA 8ppm	1.2µA 2ppm	0.675µA 1.5ppm	0.45µA 1.5ppm	0.43µA 1ppm	0.6µA 1ppm	0.67µA 1ppm
12µA 80ppm	12µA 20ppm	6.3µA 14ppm	5µA 16.67ppm	4.29µA 10ppm	7.2µA 12ppm	3.34µA 5ppm
13.2µA 88ppm	13.2µA 22ppm	6.975µA 15.5ppm	5.45µA 18.17ppm	4.72µA 11ppm	7.8µA 13ppm	4µA 6ppm
0.06µA/°C 0.4ppm/°C	0.06µA/°C 0.1ppm/°C	0.045µA/°C 0.1ppm/°C	0.03µA/°C 0.1ppm/°C	0.04µA/°C 0.1ppm/°C	0.06µA/°C 0.1ppm/°C	0.07µA/°C 0.1ppm/°C
0.12µA/month 0.8ppm/month	0.12µA/month 0.2ppm/month	0.09µA/month 0.2ppm/month	0.04µA/month 0.13ppm/month	0.04µA/month 0.1ppm/month	0.06µA/month 0.1ppm/month	0.07µA/month 0.1ppm/month
>1MHz	>1MHz	>1MHz	>300kHz	>300kHz	>500kHz	>400kHz
10Hz - 5kHz 0.01% 5kHz - 100kHz 1.0% 100kHz - 1MHz 20.0%	10Hz - 5kHz 0.01% 5kHz - 100kHz 1.0% 100kHz - 1MHz 20.0%	10Hz - 2kHz 0.08% 2kHz - 10kHz 0.12% 10kHz - 100kHz 2.10%	10Hz - 2kHz 0.01% 2kHz - 10kHz 0.20% 10kHz - 100kHz 3.00%	10Hz - 2kHz 0.07% 2kHz - 10kHz 0.30% 10kHz - 100kHz 4.00%	10Hz - 2kHz 0.01% 2kHz - 10kHz 0.20% 10kHz - 100kHz 2.50%	(% of reading + % of full scale) DC - 10Hz < 0.0001 +0.0001 ~ 100Hz < 0.0002 + 0.0002 ~ 1kHz < 0.01 + 0.0003 ~ 10kHz < 0.15 + 0.0004 ~ 100kHz < 5 + 0.0015 ~ 400kHz < 30 + 0.0030
10Hz - 5kHz 0.1° 5kHz - 100kHz 0.5° 100kHz - 1MHz 5.0°	10Hz - 5kHz 0.1° 5kHz - 100kHz 0.5° 100kHz - 1MHz 5.0°	10Hz - 2kHz 0.02° 2kHz - 10kHz 0.03° 10kHz - 100kHz 1.40°	10Hz - 2kHz 0.04° 2kHz - 10kHz 0.04° 10kHz - 100kHz 1.50°	10Hz - 2kHz 0.03° 2kHz - 10kHz 0.04° 10kHz - 100kHz 3.00°	10Hz - 2kHz 0.03° 2kHz - 10kHz 0.04° 10kHz - 100kHz 1.00°	DC - 100Hz < 0.10° ~ 1kHz < 0.02° ~ 10kHz < 0.2° ~ 100kHz < 3° ~ 400kHz < 45°
0.08ppm 0.16ppm 1.60ppm 6.00ppm	0.09ppm 0.15ppm 1.30ppm 3.80ppm	0.02ppm 0.04ppm 0.60ppm 2.50ppm	0.13ppm 0.26ppm 1.90ppm 6.80ppm	0.02ppm 0.06ppm 0.80ppm 2.50ppm	0.01ppm 0.02ppm 0.20ppm 0.70ppm	0.4ppm 0.4ppm 0.4ppm 4.0ppm
5µVrms	5µVrms	5µVrms	5µVrms	5µVrms	5µVrms	5µVrms
300V 600V	300V 600V	300V 600V	300V 600V	300V 600V	300V 600V	uninsulated wire 600V (insulated wire 1000V)
5.7kV	5.7kV	5.7kV	5.7kV	5.7kV	5.7kV	5.7kV
0.2kV	0.2kV	0.2kV	0.2kV	0.2kV	0.2kV	0.2kV
10.4kV	10.4kV	10.4kV	10.4kV	10.4kV	10.4kV	10.4kV
-40°C to +85°C	-40°C to +85°C	-40°C to +85°C	-40°C to +85°C	-40°C to +85°C	-40°C to +85°C	-40°C to +85°C
±15V±5% (+104mA/-96mA)	±15V±5% (+104mA/-96mA)	±15V±5% (+104mA/-96mA)	±15V±5% (+104mA/-96mA)	±15V±5% (+104mA/-96mA)	±15V±5% (+105mA/-98mA)	±15V±5% (+/-81mA)
27.6mm						41.2mm
DS (121 x 107.5x 49mm) / DQ (104 x 106 x 52mm)						132 x 112 x 44mm
DSUB 9-pin						DSUB 9-pin
Optional	Optional	Optional	Optional	Optional	Optional	Optional
0.6kg						0.8kg

FOR MODELS WITH VOLTAGE OUTPUT (1V AND 10V)
PLEASE CONSULT DANISENSE WEBSITE

ACCURATELY MEASURE DC / AC CURRENTS BETWEEN mA AND FULL SCALE;

■ PRODUCTS LINEUP / CURRENT OUTPUT

		DMI200ID	DL2000ID	DR5000IM	DR10000IM
Measuring range	I_{PM}	1800A	3000A	8000A	11000A
Nominal AC current	I_{PN_AC}	1200Arms	2000Arms	5000Arms	7000Arms
Nominal DC current	I_{PN_DC}	1500A	3000A	8000A	10000A
Overload capacity (non measured, 100ms)	$\hat{I}_{OL/0.1s}$	5000A	10000A	20000A	20000A
Nominal DC secondary current / voltage	I_{SN_DC}	1000mA	2000mA	3200mA	4000mA
Primary / secondary ratio	(n1:n2)	1:1500	1:1500	1:2500	1:2500
Linearity error	ϵ_L	1 μ A 1ppm	2 μ A 1ppm	3.2 μ A 1ppm	4 μ A 1ppm
Initial Electric offset (Initial Ratio error)	$I_{OE} (\epsilon_C)$	10 μ A 10ppm	12 μ A 6ppm	9.6 μ A 3ppm	20 μ A 5ppm
DC to 10Hz Overall accuracy @23°C acc $\epsilon = (\epsilon_L + I_{OE}) + (\epsilon_C$ in case of V output)	acc ϵ	11 μ A 11ppm	14 μ A 7ppm	12.8 μ A 4ppm	24 μ A 6ppm
Offset (Ratio) temperature coefficient	TCI_{OE}	0.1 μ A/°C 0.1ppm/°C	0.2 μ A/°C 0.1ppm/°C	0.32 μ A/°C 0.1ppm/°C	0.4 μ A/°C 0.1ppm/°C
Offset (Ratio) stability with time	$I_{OE/time}$	0.1 μ A/month 0.1ppm/month	0.2 μ A/month 0.1ppm/month	0.32 μ A/month 0.1ppm/month	0.4 μ A/month 0.1ppm/month
Bandwidth (-3dB)	$f_{(-3dB)}$	>400kHz	>300kHz	>100kHz	>100kHz
Amplitude error (small signal)	ϵ_G	10Hz - 3kHz 0.01% 3kHz - 50kHz 1.00% 50kHz-300kHz 20.0%	10Hz - 2kHz 0.01% 2kHz - 10kHz 1.50% 10kHz-100kHz 3.00%	10Hz - 1kHz 0.05% 1kHz - 5kHz 1.50% 5kHz - 30kHz 15.00%	10Hz - 1kHz 0.05% 1kHz - 5kHz 1.50% 5kHz - 30kHz 15.00%
Phase shift (small signal)	θ	10Hz - 3kHz 0.01° 3kHz - 50kHz 0.50° 50kHz - 300kHz 10.0°	10Hz - 2kHz 0.04° 2kHz - 10kHz 0.50° 10kHz - 100kHz 3.00°	10Hz - 1kHz 0.05° 1kHz - 5kHz 0.50° 5kHz - 30kHz 3.00°	10Hz - 1kHz 0.05° 1kHz - 5kHz 0.50° 5kHz - 30kHz 3.00°
Noises 0 - 100Hz 0 - 1kHz 0 - 10kHz 0 - 100kHz	Noises (rms)	0.05ppm 0.06ppm 0.70ppm 2.00ppm	0.02ppm 0.10ppm 1.20ppm 3.50ppm	0.10ppm 0.70ppm 5.00ppm 7.00ppm	0.05ppm 0.40ppm 3.00ppm 4.00ppm
Induced rms voltage on primary conductor		5 μ Vrms	5 μ Vrms	10 μ Vrms	10 μ Vrms
Rated rms insulation voltage (**) - IEC61010-1 - EN50178	U_b U_b	uninsulated wire 300V (insulated wire 1000V)	1500V 1500V	3000V 3000V	3000V 3000V
rms insulation test voltage (Pri.-Sec.) AC50-60Hz, 1min	$U_{d P-S}$	5.7kV	14.4kV	23.7kV	23.7kV
rms insulation test voltage (Sec.-Shield) AC50-60Hz, 1mn	$U_{d S-S}$	0.2kV	0.2kV	0.2kV	0.2kV
Impulse withstand voltage (1.2/50 μ s)	\hat{U}_W	10.4kV	26.3kV	43.5kV	43.5kV
Operating temp. range	T_a	-40°C to +85°C	-40°C to +65°C	head 0 to +70°C / controller 0 to +45°C	
Power supplies (positive / negative current consumpt. excluding Is)	U_c	$\pm 15V \pm 5\%$ (+145mA/-135mA)	$\pm 15V \pm 5\%$ (+185mA/-170mA)	AC 90 ~ 295V - 50/60Hz or DC 127V ~ 417V	
Diameter of aperture	ϕ	45.0mm	68.0mm	150.0mm	140.0mm
External dimensions (approximate)	$W \times H \times D$	179 x 174 x 58mm	240 x 230 x 87mm	head 420 x 325 x 122mm controller 483 x 88.1 x 241mm	
Connection		DSUB 9-pin	DSUB 9-pin	Banana plugs	Banana plugs
Calibration (Test) winding		Optional	Optional	Optional	Optional
Weight (approximate)	M	1.8kg	6.5kg	head: 17kg (DR10000/19kg); controller: 6kg	

Data are for informative purposes only, please consult individual datasheets on Danisense website for most up-to-date values

(*) rating configurable by PCB pattern layout for DP model and by DSUB21 connector for DQ model

(**) reinforced insulation, OV Cat III, pollution degree 2

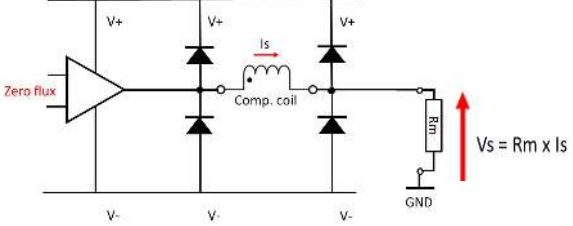
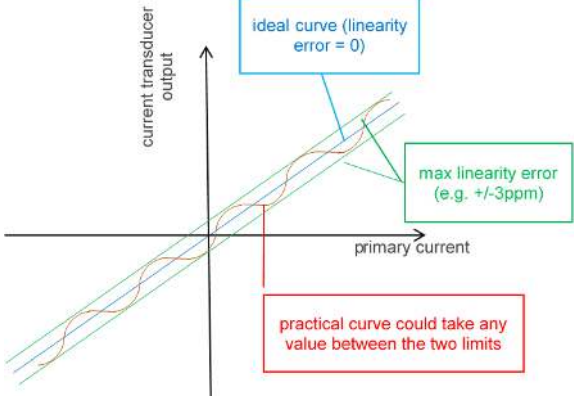
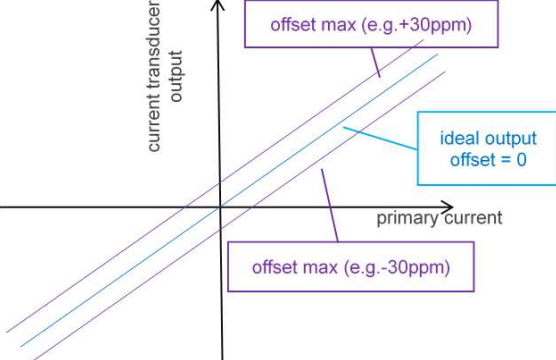
DESIGNED FOR MEDICAL DEVICES; PARTICLE ACCELERATORS; POWER MEASUREMENTS

PLEASE CONSULT THE PRODUCTS MANUAL ON DANISENSE WEBSITE BEFORE USAGE

		DW500UB-2V	DP50IP-B Configurable(*)	DQ640ID-B Configurable(*)
Measuring range	I_{PM}	750A	18/36/72A	640A
Nominal AC current	I_{PN_AC}	500Arms	12.5/25/50Arms	28A to 452Arms (step 14Arms)
Nominal DC current	I_{PN_DC}	500A	12.5/25/50A	40A to 640A (step 20A)
Overload capacity (non measured, 100ms)	$\hat{I}_{OL0.1s}$	1500A	25/50/100A	4500A
Nominal DC secondary current / voltage	I_{SN_DC}	2V	50mA	1000mA
Primary / secondary ratio	(n1:n2)	4mV/A	(12.5A/25A/50A) 1:250/500/1000	40A to 640A step 20 1:40 to 1:640
Linearity error	ϵ_L	30 μ V 15ppm	0.5 μ A 10ppm	3 μ A 3ppm
Initial Electric offset (Initial Ratio error)	$I_{OE} (\epsilon_C)$	30 μ V (100 μ V) 15ppm (50ppm)	5 μ A 100ppm	10 μ A 10ppm
DC to 10Hz Overall accuracy @23°C $acc\epsilon = (\epsilon_L + I_{OE}) + (\epsilon_C \text{ in case of V output})$	$acc\epsilon$	160 μ V 80ppm	5.5 μ A 110ppm	13 μ A 13ppm
Offset (Ratio) temperature coefficient	TCI_{OE}	0.4 (4) μ V/°C 0.2 (2)ppm/°C	0.05 μ A/°C 1ppm/°C	0.1 μ A/°C 0.1ppm/°C
Offset (Ratio) stability with time	$I_{OE/time}$	0.6(10) μ V/month 0.3 (5)ppm/month	0.05 μ A/month 1ppm/month	0.1 μ A/month 0.1ppm/month
Bandwidth (-3dB)	$f_{(-3dB)}$	>10MHz	>1MHz	>300kHz
Amplitude error (small signal)	ϵ_G	10Hz - 1kHz 0.01% 1kHz - 100kHz 0.50% 100kHz - 1MHz 2.0% 1MHz - 10MHz 30.0%	10Hz - 1kHz 0.01% 1kHz - 300kHz 12.0%	10Hz - 2kHz 0.01% 2kHz - 10kHz 0.20% 10kHz-100kHz 2.50%
Phase shift (small signal)	θ	10Hz - 1kHz 0.01° 1kHz - 100kHz 1.0° 100kHz - 1MHz 10.0° 1MHz - 10MHz 60.0°	10Hz - 1kHz 0.02° 1kHz - 300kHz 6.0°	10Hz - 2kHz 0.03° 2kHz - 10kHz 0.04° 10kHz - 100kHz 1.00°
Noises 0 - 100Hz 0 - 1kHz 0 - 10kHz 0 - 100kHz	Noises (rms)	0.1Hz - 10Hz 0.05 0.1Hz - 100Hz 0.4 0.1Hz - 1kHz 0.5 0.1Hz - 10kHz 0.6 0.1Hz - 100kHz 2.0	0.50ppm 7.00ppm 50.00ppm	0.01ppm 0.10ppm 1.00ppm 3.00ppm
Induced rms voltage on primary conductor		5 μ Vrms	5 μ Vrms	5 μ Vrms
Rated rms insulation voltage (**) - IEC61010-1 - EN50178	U_b U_b	300V 600V	300V (OV cat. II)	300V 600V
rms insulation test voltage (Pri.-Sec.) AC50-60Hz, 1min	U_{dP-S}	5.7kV	2.4kV	5.7kV
rms insulation test voltage (Sec.-Shield) AC50-60Hz, 1mn	U_{dS-S}	0.2kV	0.2kV	0.2kV
Impulse withstand voltage (1.2/50 μ s)	\hat{U}_W	10.4kV	4.4kV	10.4kV
Operating temp. range	T_a	-40°C to +45°C	0°C to +55°C	0°C to +55°C
Power supplies (positive / negative current consumpt. excluding Is)	U_c	AC 100 ~ 240V - 50/60Hz (0.3A)	$\pm 15V \pm 5\%$ (+42mA/-28mA)	$\pm 15V \pm 5\%$ (+105mA/-96mA)
Diameter of aperture	ϕ	25mm	NR	28.1mm
External dimensions (approximate)	$W \times H \times D$	Head 128x92x42mm Box 194x110x50mm	65 x 60 x 32mm	104 x 106 x 49mm
Connection		BNC	$\square 1.14^2$ (2x8 pins)	DSUB 9-pin
Calibration (Test) winding		None	None	100 turns/0.1A
Weight (approximate)	M	1.5kg	250g	0.6kg

ACCURATELY MEASURE DC / AC CURRENTS BETWEEN mA AND FULL SCALE;

■ DEFINITION OF PARAMETERS

Parameter	Symbol	Unit	Definition
Nominal primary AC current	$I_{PN AC}$	Arms	Rated AC current for continuous operation
Nominal primary DC current	$I_{PN DC}$	A	Rated DC current for continuous operation
Measuring range	\hat{I}_{PM}	A	Max DC current (or peak value) that can be accurately measured
Overload capacity	\hat{I}_{OL}	A	Max primary current without damage. Device will be saturated during the overload period.
Nominal secondary current	I_{SN}	mA	Value of the device's output signal when a current of nominal value flows in a conductor placed inside the device's center hole
Primary / secondary ratio	n1:n2	none	e.g. 1:1500 means if primary current is 600A, then secondary current (device's output signal) is $600A / 1500 = 0.4A$ or 400mA
Measuring resistance	R_M	Ω	The device's output current must be "closed" to enable the flux compensation. 
Linearity error	ϵ_L	ppm μA	Maximum deviation or error (in ppm or in absolute μA value) between the output signal of the current transducer at any given point between 0 and $\pm \hat{I}_{PM}$ and the linear regression line obtained from a series of actual output values from $-\hat{I}_{PM}$ to $+\hat{I}_{PM}$ measured at regular current value intervals between these two extremes. 
Offset current (including earth field)	I_{OE}	ppm μA	Value of the device's output signal when there is no primary current in the device's center hole 

DESIGNED FOR MEDICAL DEVICES; PARTICLE ACCELERATORS; POWER MEASUREMENTS

PRODUCTS LINEUP / 4 (6)-CHANNEL POWER SUPPLIES INTERFACE UNITS, ACCESSORIES

▲ Power up to 4 (or 6) transducers from 50 to 2000 models



DSSIU-4-1U / DSSIU-6-1U

Back

DSUB-9 to DCCT



DSSIU-4-1U (4-channel)

Current output access via Red/Black banana plugs



DSSIU-6-1U (6-channel, I outputs, calibration coils terminals)

↑ Test coils access via two yellow banana plugs



DSSIU-6-1U (6-channel, V outputs or mixed V and I outputs, calibration coils terminals)

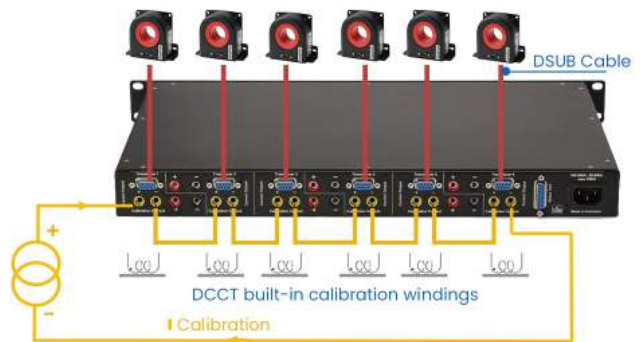
↑ Current / voltage output access via mini XLR

Features DSSIU-4-1U, DSSIU-6-1U

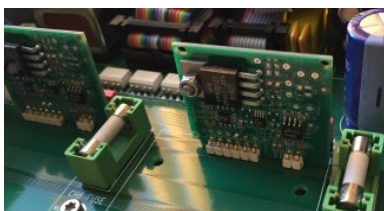
- 19" rack-mount, 1U height
- Output voltage: $\pm 15V$ (per channel)
- Input voltage: AC 100V to 240V, 47Hz to 63Hz
- D-SUB 9 pins for transducer connection
- 2 x 4mm-banana jacks for current outputs

Features DSSIU-6

- 2 x 4mm-banana jacks for test coil (cal. current)
- Option: 1V or 10V voltage output modules VOM
- Mini Amphenol XLR connector for voltage outputs



▲ Factory mounted voltage output modules (VOM) 1V and 10V, for use with DSSIU-6-1U model



- VOM 400mA/1V
- VOM 400mA/10V
- VOM 1.333A/1V
- VOM 1.333A/10V

Examples of VOM combinations

- DS200ID \Rightarrow output ratio: 400mA @200A
- DS200ID + VOM 400mA/1V \Rightarrow output ratio: 1V@200A
- DL2000ID \Rightarrow output ratio: 1.333A @2000A
- DL2000ID + VOM 1.333A/10V \Rightarrow output ratio: 10V@2000A

▲ Cables accessories



DSUB (2/5/10/15/20m) cable for easy connection between DSSIU-4-1U or DSSIU-6-1U power supplies and current transducers

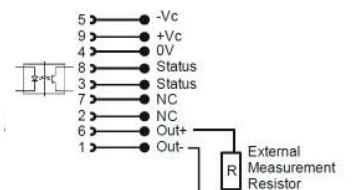
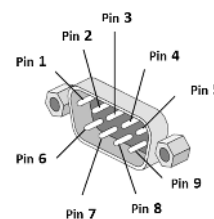


XLRm/Banana Voltage Cable (2m) for access to voltage output at the back panel of DSSIU-6-1U (with full shielding)



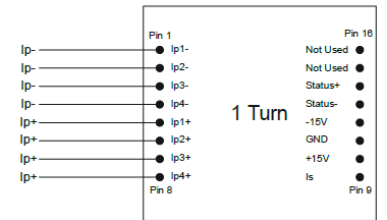
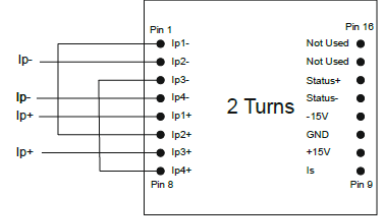
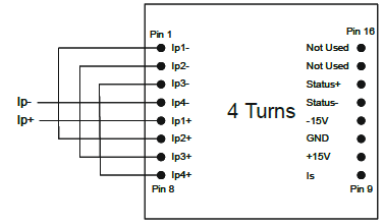
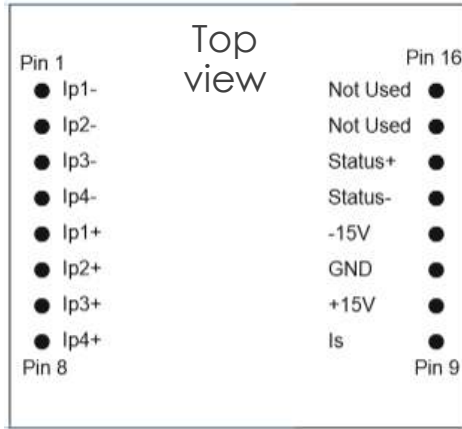
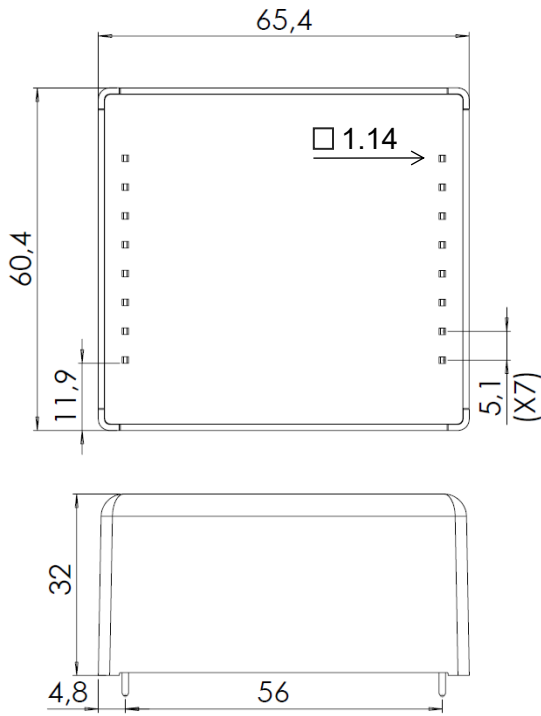
XLRm/Banana Current Cable (2m) for access to current output at the back panel of DSSIU-6-1U

DSUB connector pin assignment

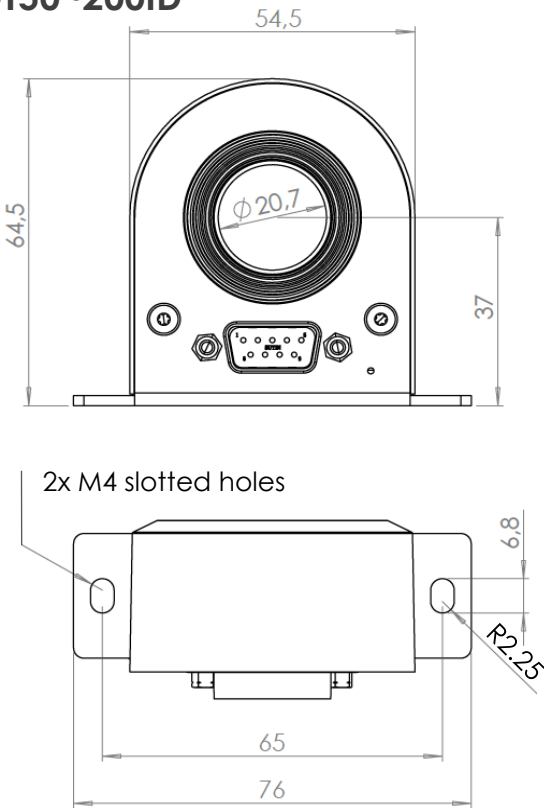


■ DIMENSIONAL DRAWINGS

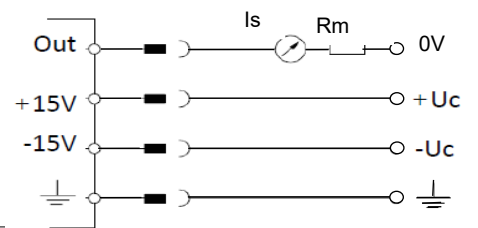
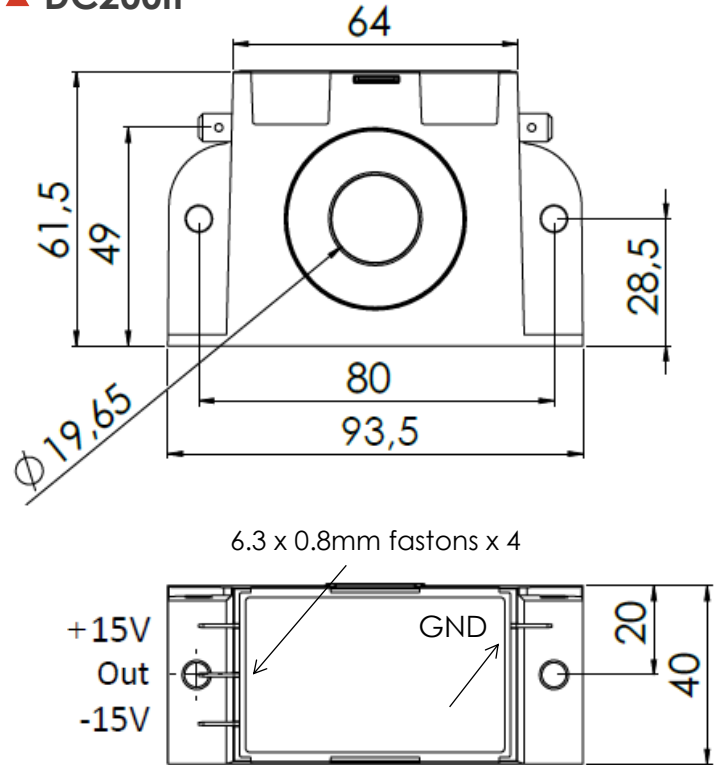
▲ DP50IP-B



▲ DT50~200ID



▲ DC200IF

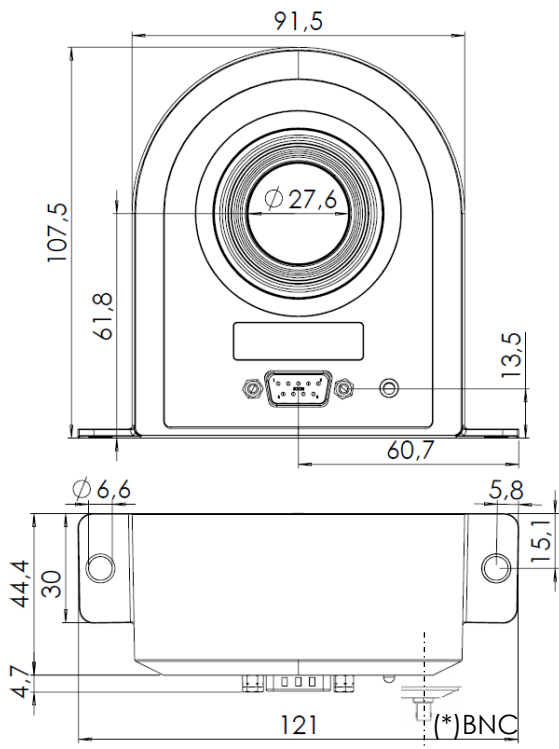


(unit : mm – general tolerance: ± 0.3 mm unless otherwise stated)

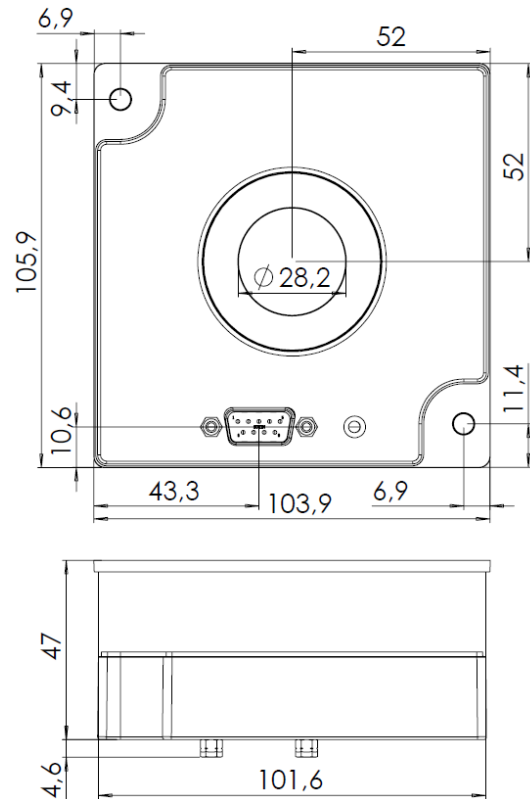
(*) BNC connector: voltage output in UB models; or calibration coil terminals in -CB models

(**) DSUB-21 pin: for configuration of rating current in DQ640ID-B model

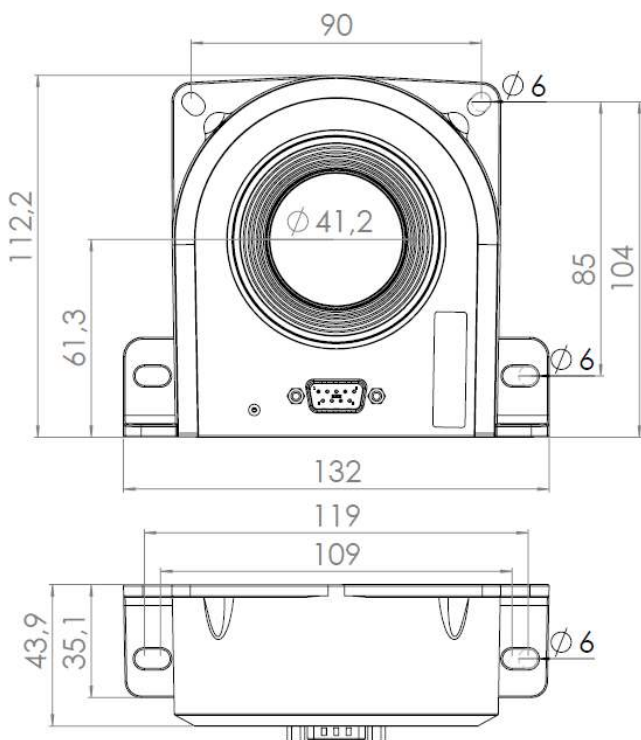
▲ DS50~DS600ID /UB-1V /UB-10V



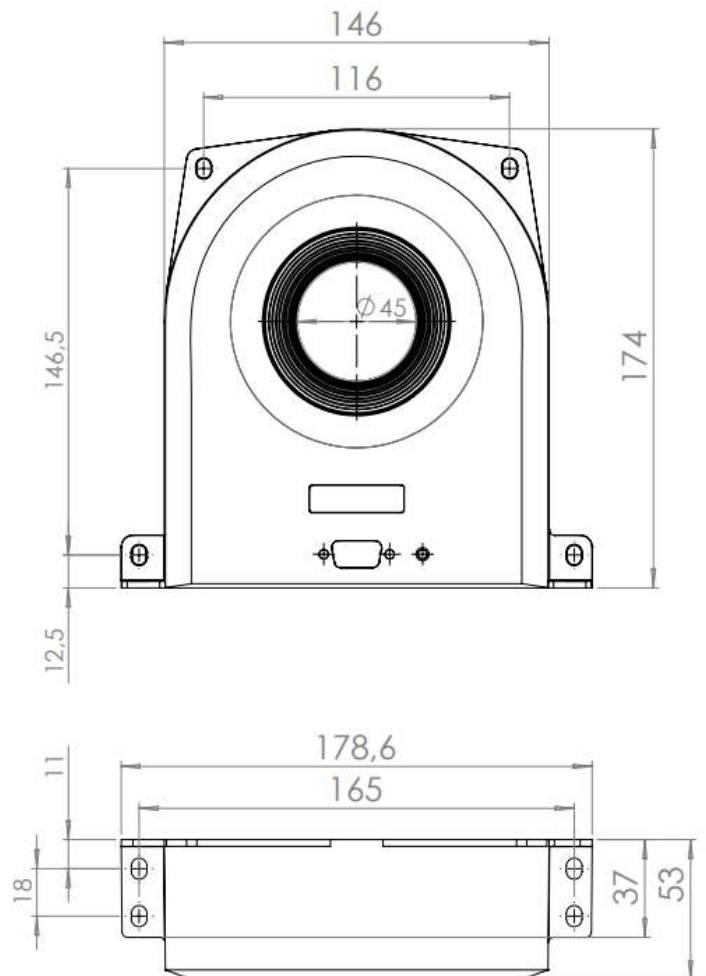
▲ DQ50~DQ600ID



▲ DN1000ID

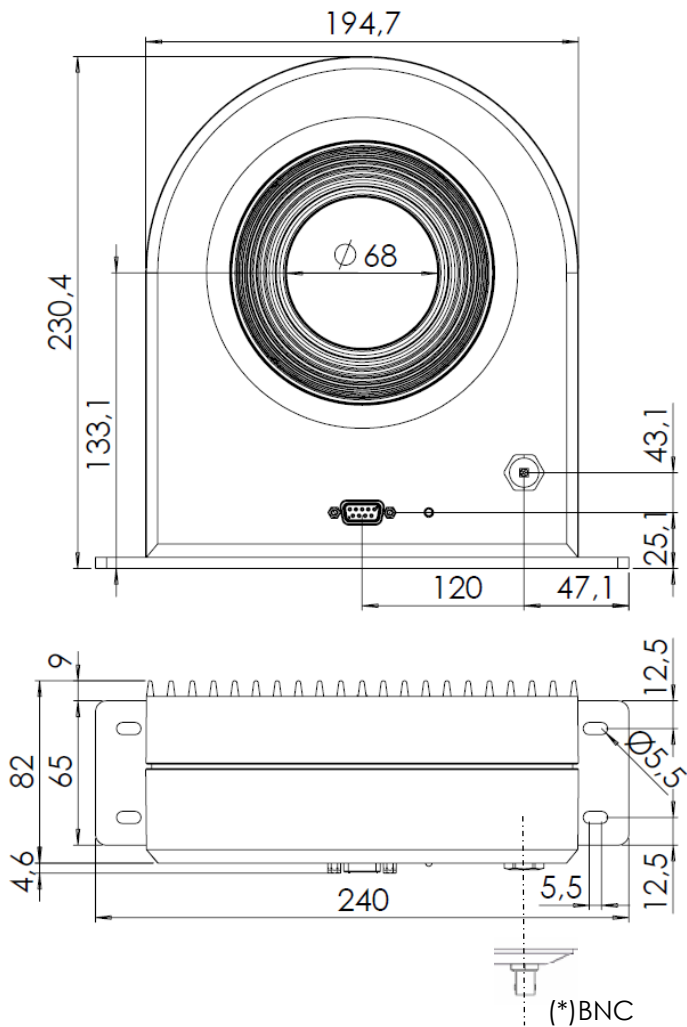


▲ DM1200ID /UB-10V (*)

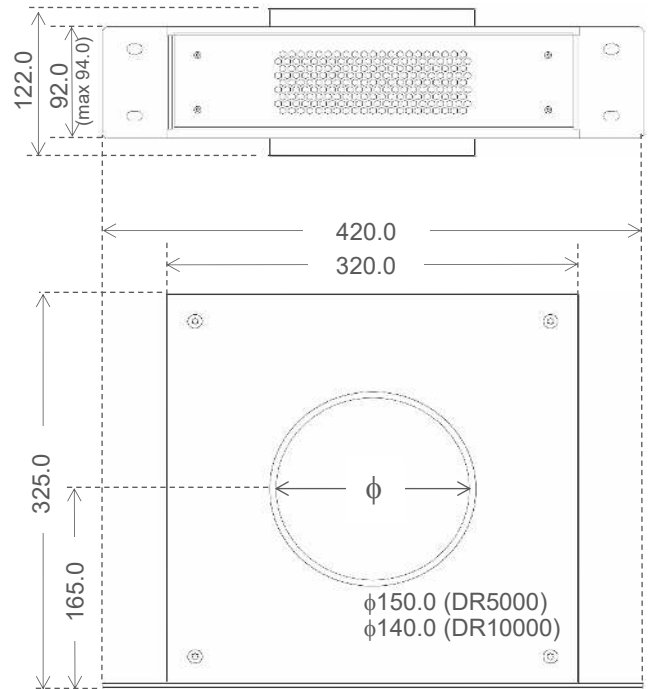


■ DIMENSIONAL DRAWINGS

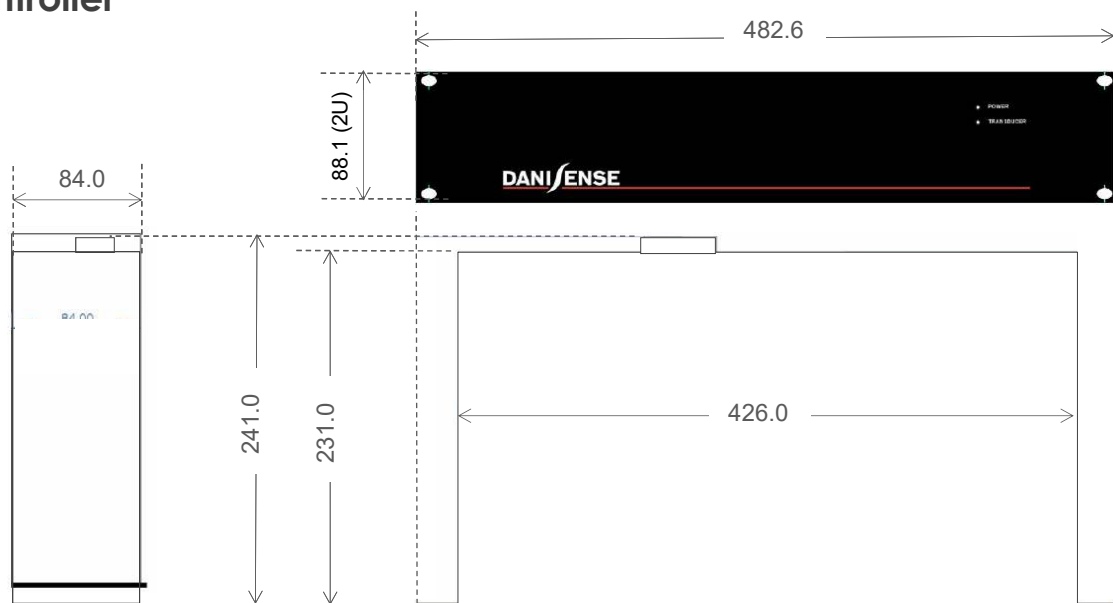
▲ DL2000ID /-CB100 /UB-1V /UB-10V



▲ DR5000~10000IM / UX-10V Head



Controller

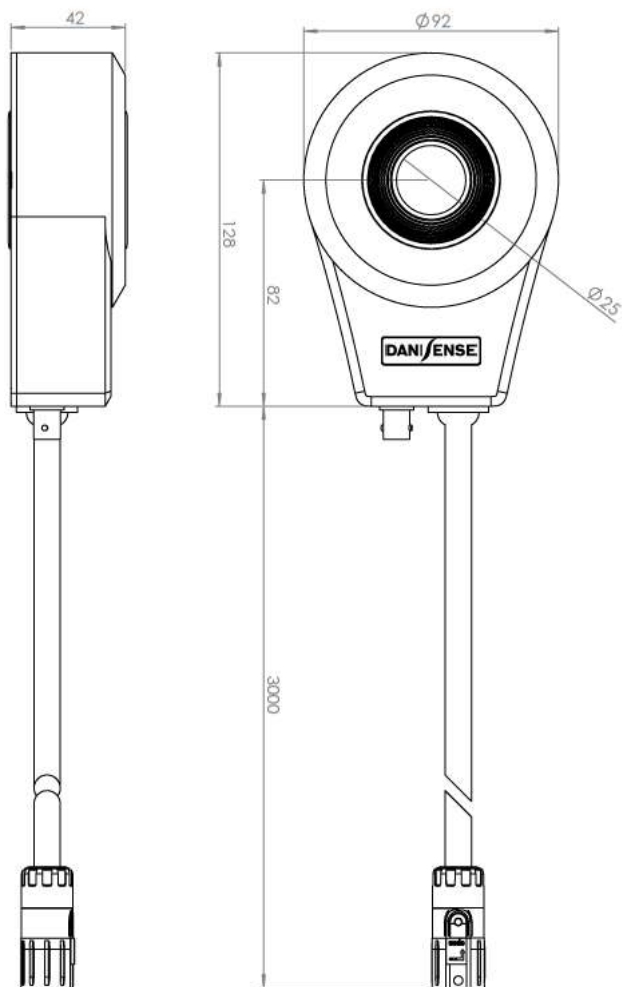


(unit : mm – general tolerance: ± 0.3 mm unless otherwise stated)

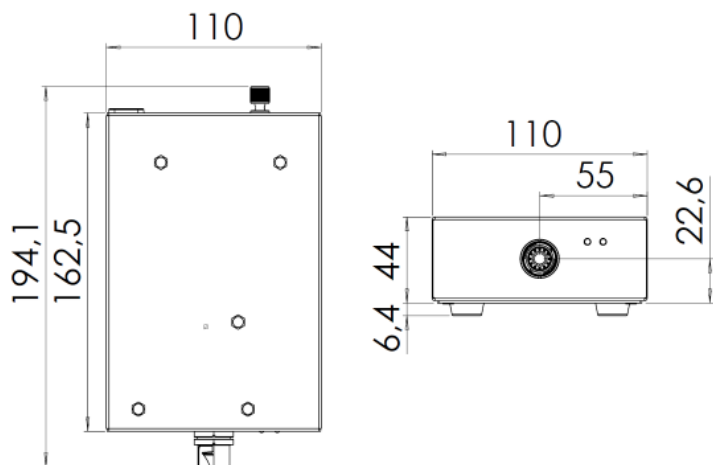
(*) BNC connector: voltage output in UB models; or calibration coil terminals in -CB models

(**) DSUB-21 pin: for configuration of rating current in DQ640ID-B model

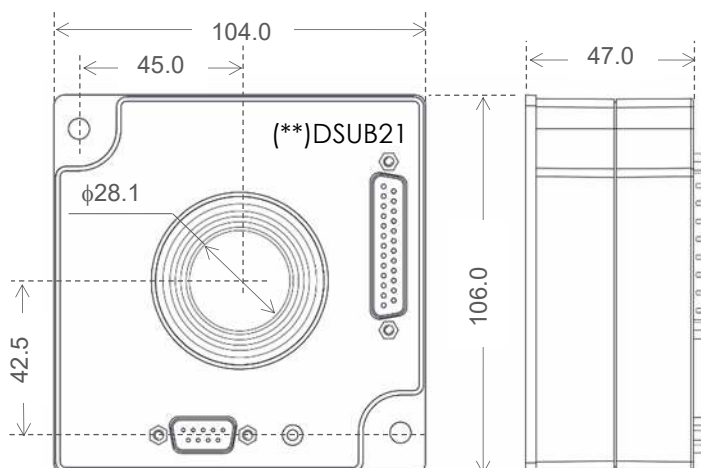
▲ DW500UB-2V Head



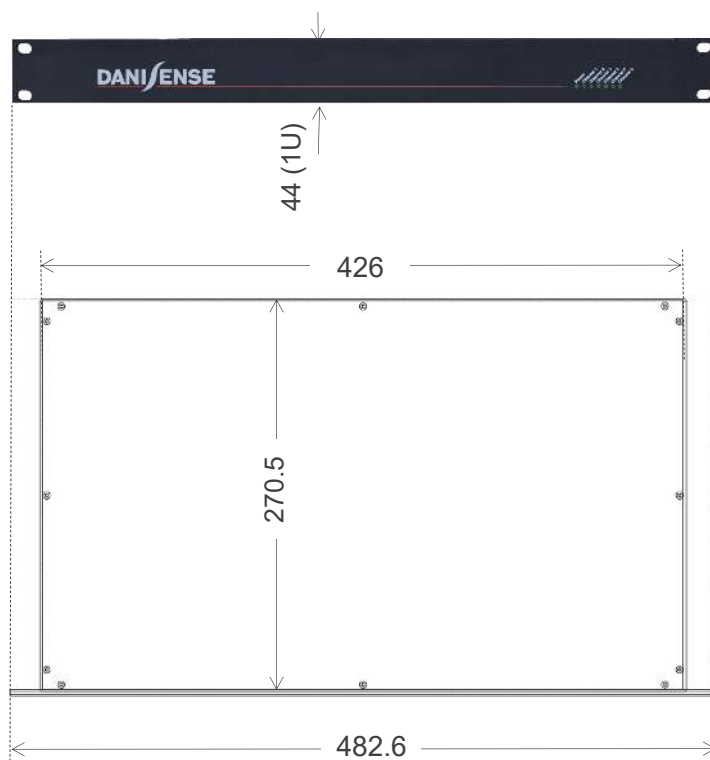
Controller



▲ DQ640ID-B Programmable (**)



▲ DSSIU-4-1U / DSSIU-6-1U



PRODUCT NAMING

Family Name

See mechanical outlines below

DP, DC,

DT, DQ,

DS, DN,

DM, DL,

DR, DW etc.

RMS Current

e.g. 200 = 200A

Output Type

I: Current

U: Voltage

Connector Type

B: DSUB & BNC

D: DSUB

W: wide bandwidth

F: Faston

M: Banana

L: LEMO

P: PCB

X: mini XLR

Options & Special

1V: 1V @ xxxA

10V: 10V @ xxxA

R500: Ratio 1:500

CBxxx: xxx nb of calibration turns, BNC accessible

CDxxx: xxx nb of calibration turns, DSUB accessible

B: current rating programmable

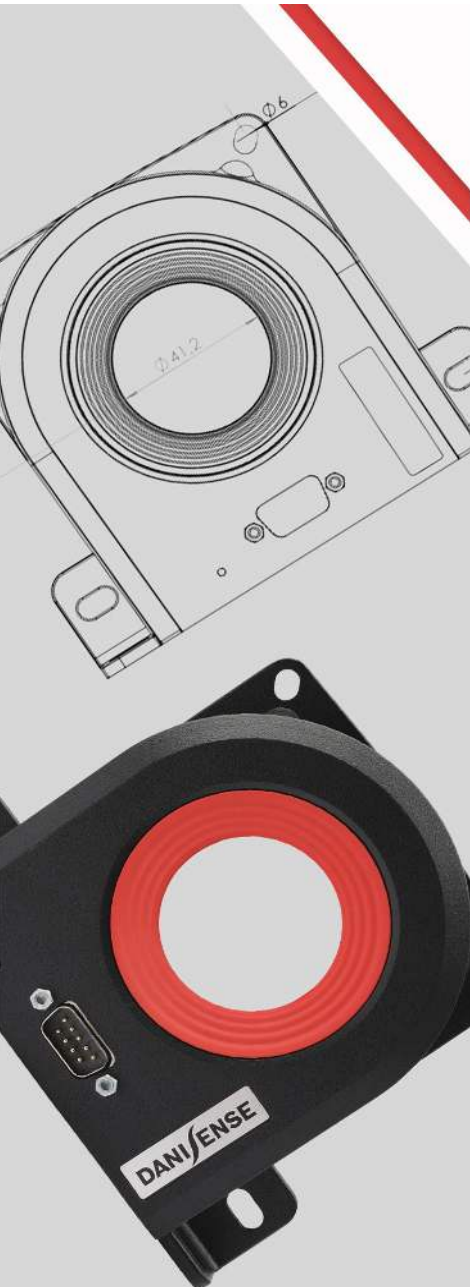
Pxxx: peak current measurable xxx amps

xV/yA: x volts at y amperes

10V/B: 10V @ programmable

Bulk: bulk packaging

CP##: Custom reference




www.danisense.com

Danisense A/S

Malervej 10, 2630
Taastrup, Denmark

+ 45 3510 2373

info@danisense.com

Danisense Japan Co., Ltd

Industry and Trade Center, 2F
2 Yamashitacho, Naka-ku,
Yokohama 231-0023 JAPAN

+81 (0)45 232 4111

info@danisense.com